

The slide of the superlatives.

Dynamic NT



Dynamic NT

The slide of the superlatives.

Superior concealed roller bearing slides for 3 and 4 sides wooden drawer boxes.



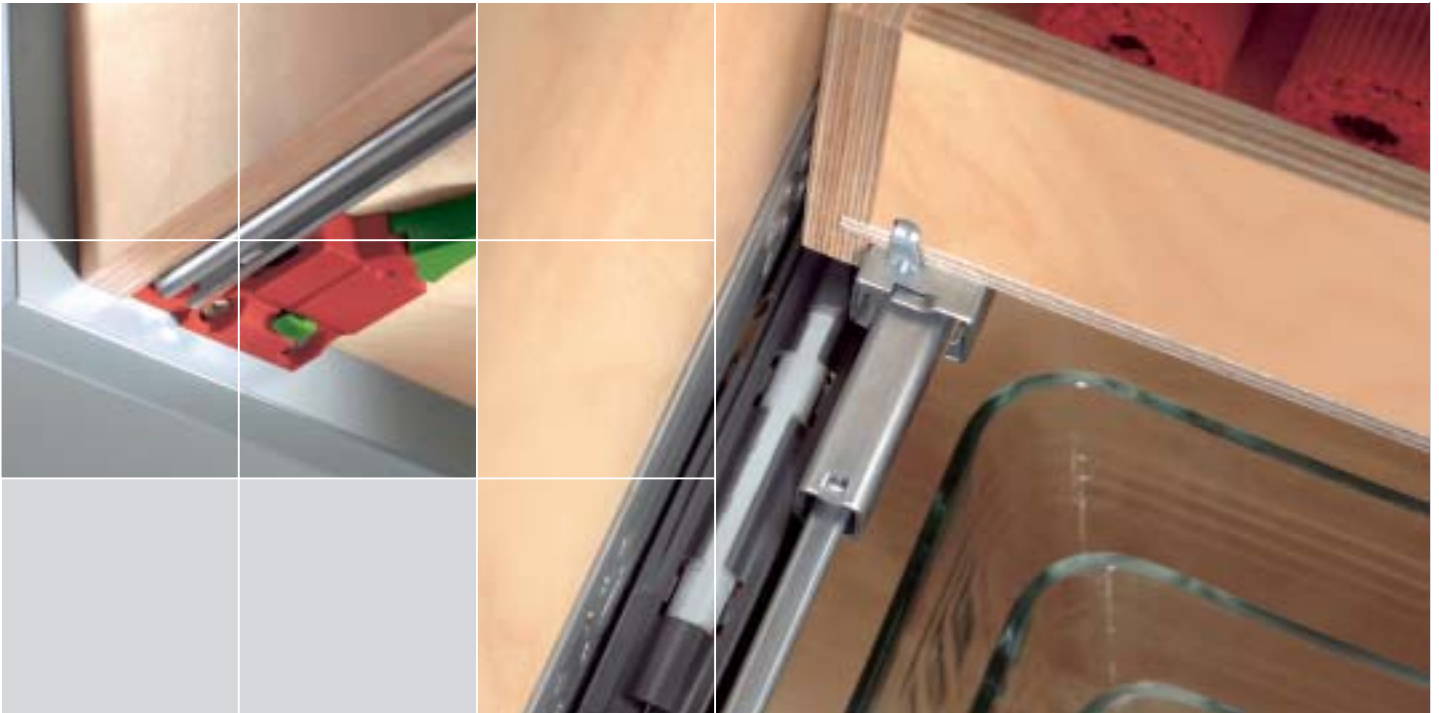
Single and full extension slides of the superlatives with integrated Soft-close® soft closing system.

Dynamic NT roller bearing slides convince through superior running conditions: With ease you can extend the drawer boxes, and with a gentle push the slides glide back into the closed position. Soft-close slows your drawer softly down and closes it quietly until to the end stop. The new Dynamic NT is a unique element in your cabinet that your

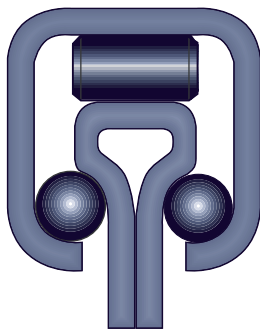
customer will appreciate. Dynamic NT means innovation in drawer slide technology. New features of the Dynamic principle guarantee excellent running conditions and side stability. Dynamic NT full extension slides cover with 40 kg load capacity all requirements that are needed when using an undermount slide on a wooden drawer box.



The absolute high light of the Dynamic NT is the unique Soft-close® system.












Dynamic under-mount slides, precise and dependable.







- Soft-close® soft closing system
 - Soft and controlled closing of the drawer through Soft-close technology
- 40 kg load capacity with all Dynamic NT full extension slides
 - One product for all furniture applications
- User friendly designed front fixing bracket
 - Easy operation of front fixing through end user
- Integrated tolerance compensation
 - Compensates side tolerance of the cabinet with ease
- System compatible
 - Single and full extension completely interchangeable
- Efficient installation and processing
 - Pin or front bracket mounting
- Integrated height adjustment
 - Tool-less adjustment of drawer front gaps

Summary

 Carrying capacity		Slide-on mounting		Page
40 kg		Dynamic NT <ul style="list-style-type: none"> • Concealed full extension slide • For slide-on mounting • With integrated Soft-close® or Self-close 		6
30 kg		Dynamic NT <ul style="list-style-type: none"> • Concealed single extension slide • For slide-on mounting • With integrated Soft-close® or Self-close 		8

 Carrying capacity		With fixing bolt		Page
40 kg		Dynamic NT <ul style="list-style-type: none"> • Concealed full extension slide • For fixing bolt mounting • With integrated Soft-close® or Self-close 		10
30 kg		Dynamic NT <ul style="list-style-type: none"> • Concealed single extension slide • For fixing bolt mounting • With integrated Soft-close® or Self-close 		12

		Accessories	Page
		Mini Side Wing <ul style="list-style-type: none"> • Individual customized drawers for optimal storage use • Tool-less mounting 	14
		Magic Sorto <ul style="list-style-type: none"> • Flexible, modular organization system • Easy removal of insert and divider • Dishwasher safe • Food safe 	16

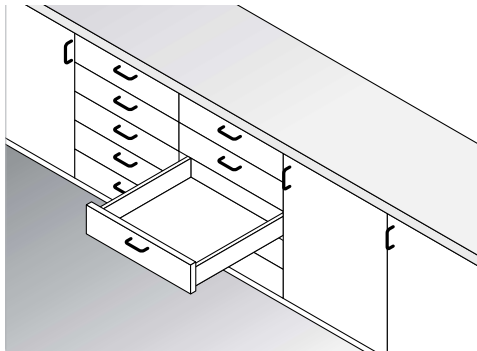
		Mounting Aids	Page
		7990 <ul style="list-style-type: none"> • Boring Jig for Dynamic NT slide-on mounting 	18
		7991 <ul style="list-style-type: none"> • Boring Jig for Dynamic NT with fixing bolt 	18
		Technical Information	19

Dynamic NT

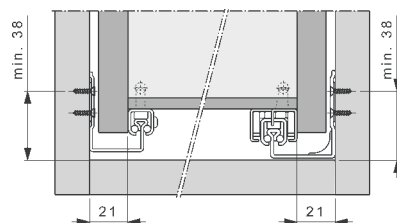
Concealed full extension slide, 40 kg, slide-on mounting with integrated Soft-close® or Self-close



- 40 kg dynamic load rating (based on 500 mm slide)
 - Covers all requirements for higher load ratings
- Soft-close® soft closing system
 - Soft and controlled closing of the drawer
- Self-close, alternative
 - The economical solution
- Specially adapted roller bearing cage
 - Precise vertical and horizontal stability



Identical mounting positions for Dynamic NT single and full extension slides.




Single extension

Full extension

More information about:

Single extension slide
Page 8

Nominal length/NL in mm	Ref. No. Soft-close®	Ref. No. Self-close	PU
250		7011.250	 10 pair per box
300	7001.300	7011.300	
350	7001.350	7011.350	
400	7001.400	7011.400	
450	7001.450	7011.450	
500	7001.500	7011.500	
550	7001.550	7011.550	
600 ♦	7001.600		
650 ♦	7001.650		


♦ Carrying capacity for excessive lengths 30 kg dyn.



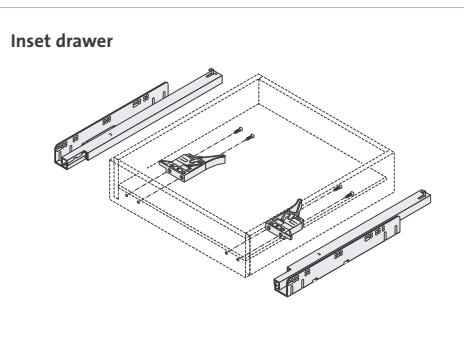
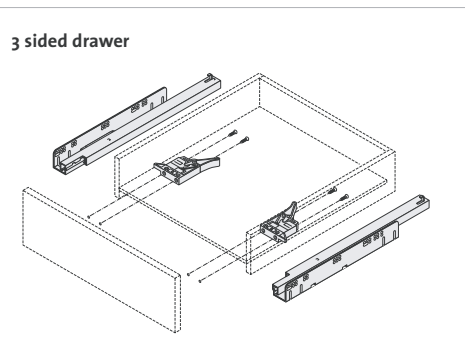
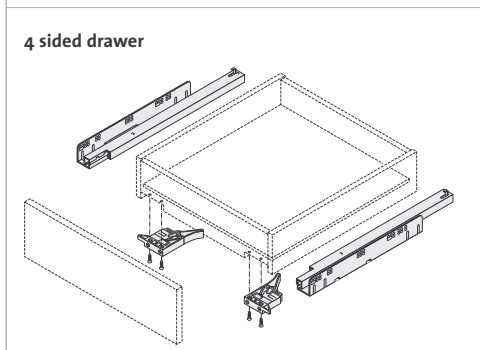
Front fixing brackets with integrated height adjustment (Please order separately)

Ref. No.	PU
7900.VE1	1 set (l/r)
7900.VE10	10 sets (l/r)

Screw type	Ref. No.	Dimensions	PU	Quantity
Special Euro screw	191	Ø 6,3 x 10,5 mm	PU	1000 pcs.
	192	Ø 6,3 x 14,0 mm	PU	1000 pcs.
Wood screw	198	Ø 3,5 x 15,0 mm	PU	1000 pcs.

Screw head diameter  7 mm

 7 mm



PU = Packing Unit

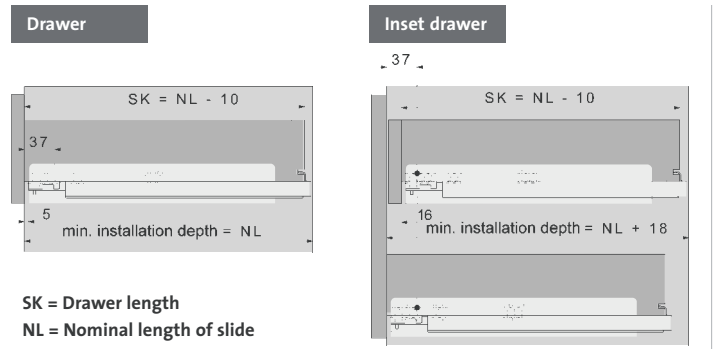
- Continuously self adjusting of drawer when sliding on slide up to 2,5 mm
- Secure connection of drawer and slide with or without bumper
- Integrated height adjustment, tool-less + 2,5 mm
- Easy adjustment of drawer front gaps

- Proven Dynamic technology
- Excellent running conditions
- Without over extension
- Finger proof

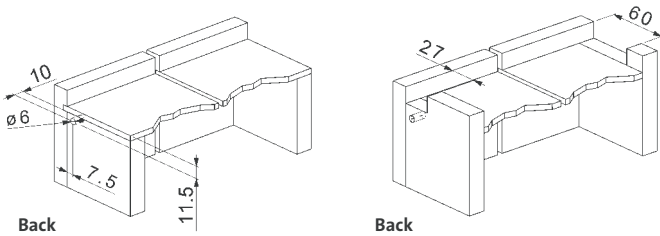


40 kg

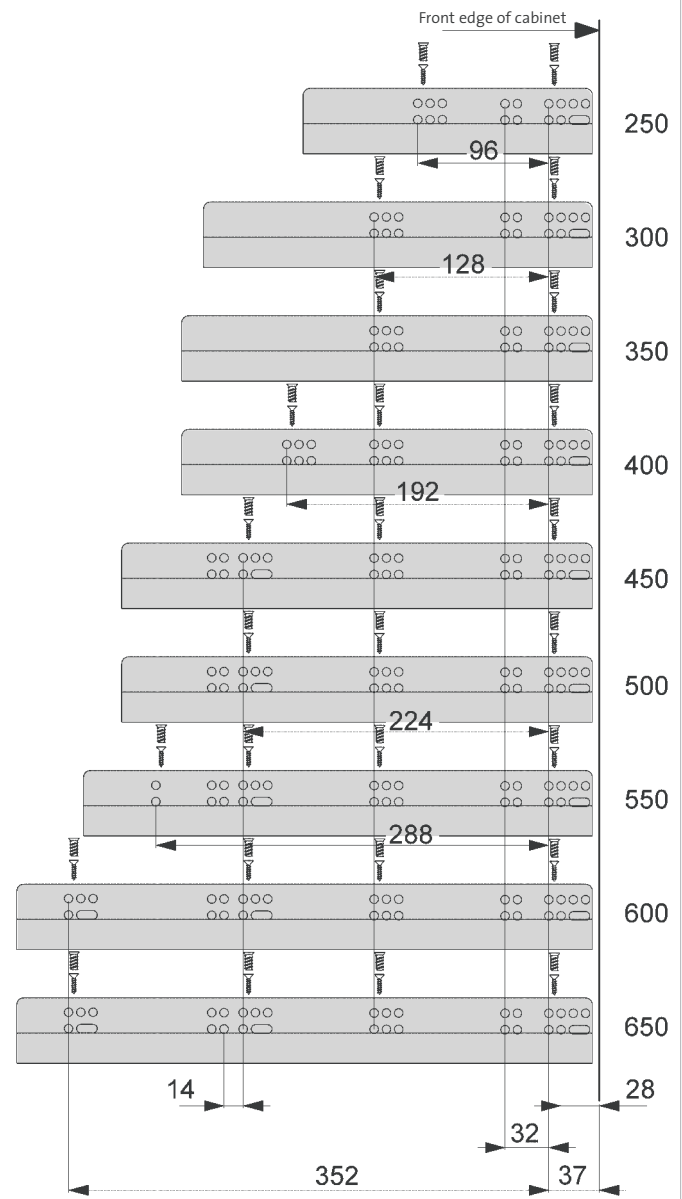
Nominal length/NL	Drawer length	Min. installation depth
250	240	250
300	290	300
350	340	350
400	390	400
450	440	450
500	490	500
550	540	550
600	590	600
650	640	650



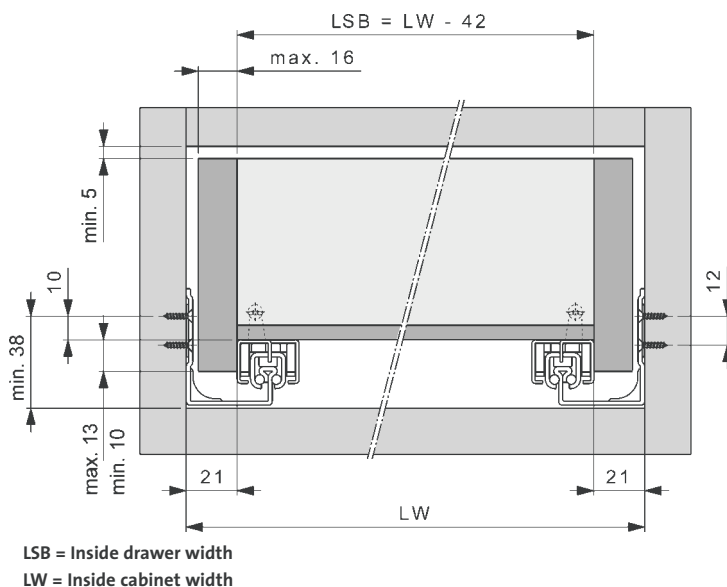
Drawer cut outs and borings



Cabinet fixing positions



Drawer installation measurements



All measurements in mm.



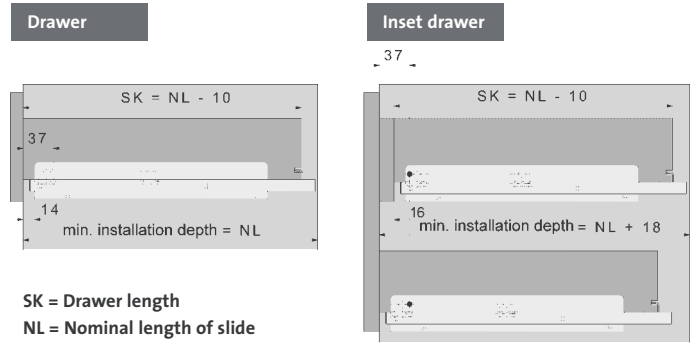
- Continuously self adjusting of drawer when sliding on slide up to 2.5 mm
- Secure connection of drawer and slide with or without bumper
- Integrated height adjustment, tool-less + 2.5 mm
- Easy adjustment of drawer front gaps

- Proven Dynamic technology
- Excellent running conditions

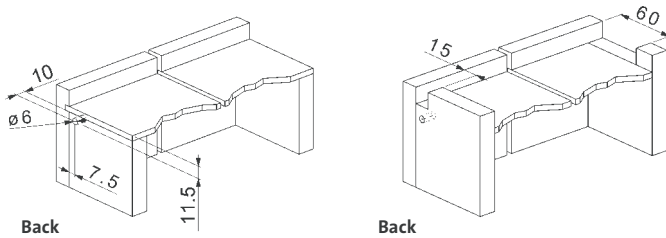


30 kg

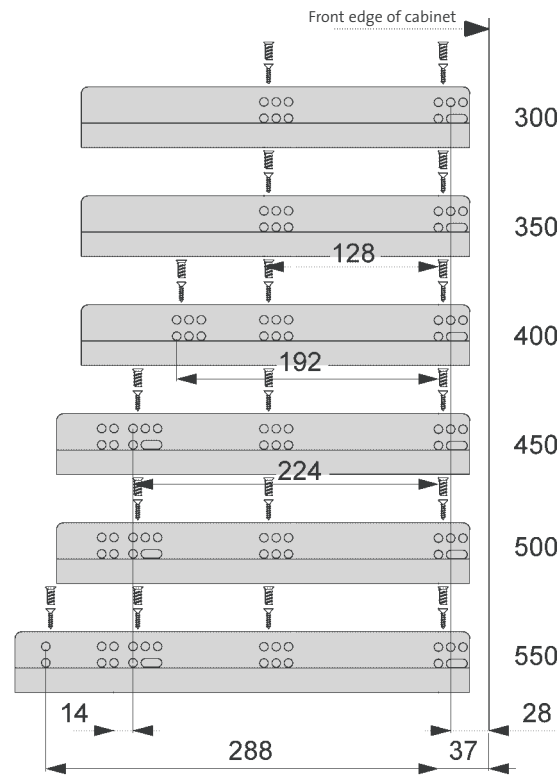
Nominal length/NL	Drawer length	Min. installation depth	Extension loss
300	290	300	53
350	340	350	64
400	390	400	64
450	440	450	75
500	490	500	97
550	540	550	108



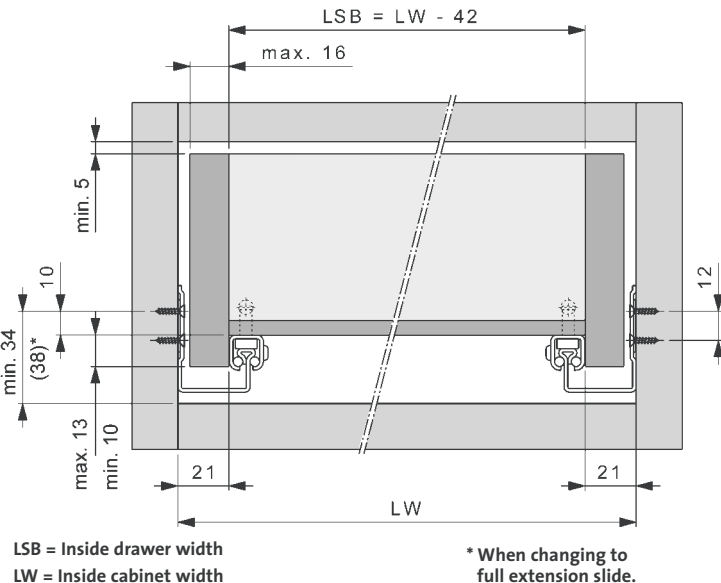
Drawer cut outs and borings



Cabinet fixing positions



Drawer mounting measurements



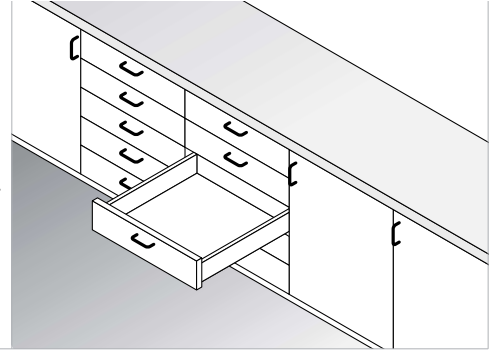
All measurements in mm.

Dynamic NT

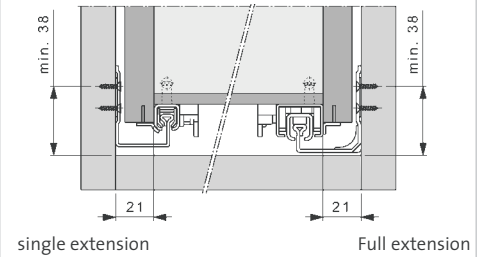
Concealed full extension slide, 40 kg, fixing bolt mounting with integrated Soft-close® or Self-close



- 40 kg dynamic load rating (based on 500 mm slide)
 - Covers all requirements for higher load ratings
- Soft-close® soft closing system
 - Soft and controlled closing of the drawer
- Self-close, alternative
 - The economical solution
- Specially adapted roller bearing cage
 - Precise vertical and horizontal stability



Identical mounting positions for Dynamic NT single and full extension slides.







More information about: [Single extension slide](#) [Page 12](#)

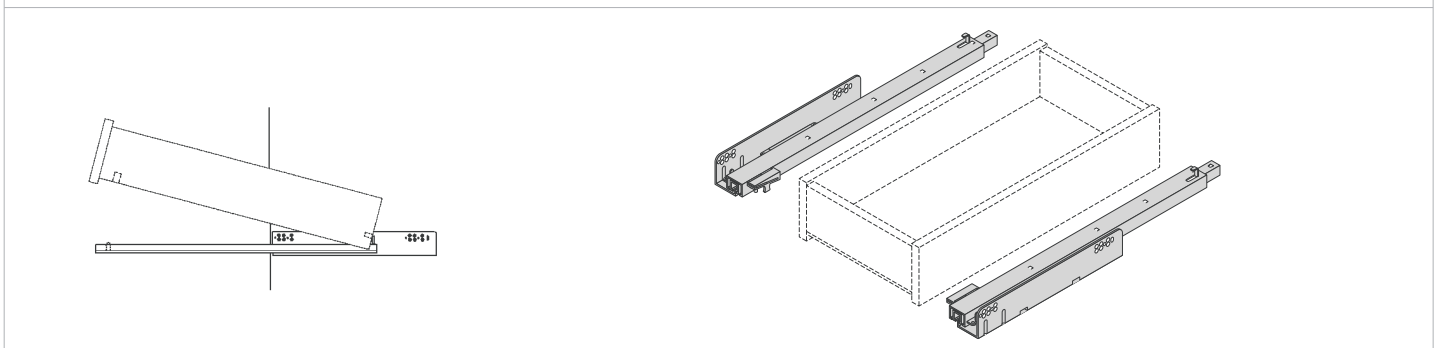
Nominal length/NL in mm	Ref. no. Soft-close®	Self-close	PU
250		7061.250	 10 pair per box
300	7051.300	7061.300	
350	7051.350	7061.350	
400	7051.400	7061.400	
450	7051.450	7061.450	
500	7051.500	7061.500	
550	7051.550	7061.550	



Locking device
Secures from unintentional taking out the drawer

Ref. No. **7980.VE100**
PU **100 pcs.**

Special Euro screw		191	Ø 6,3 x 10,5 mm	PU 1000 pcs.	Screw head diameter  7 mm
		192	Ø 6,3 x 14,0 mm	PU 1000 pcs.	
Wood screw		198	Ø 3,5 x 15,0 mm	PU 1000 pcs.	 7 mm



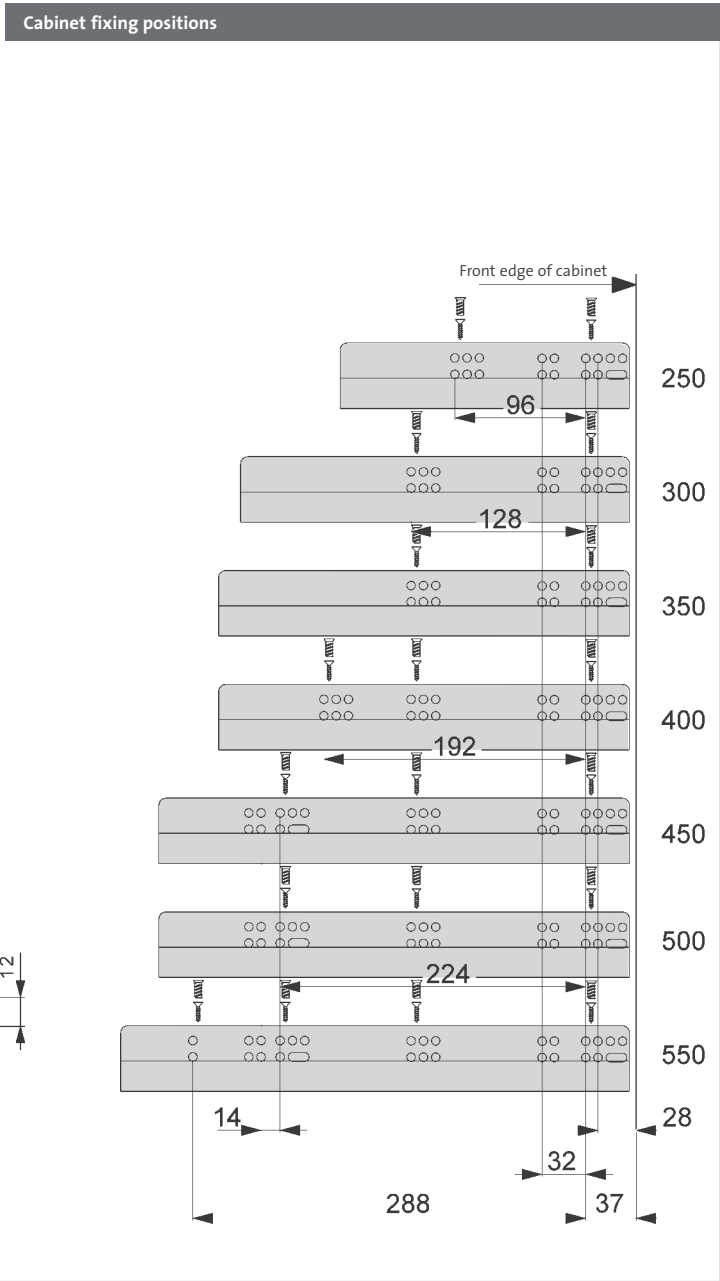
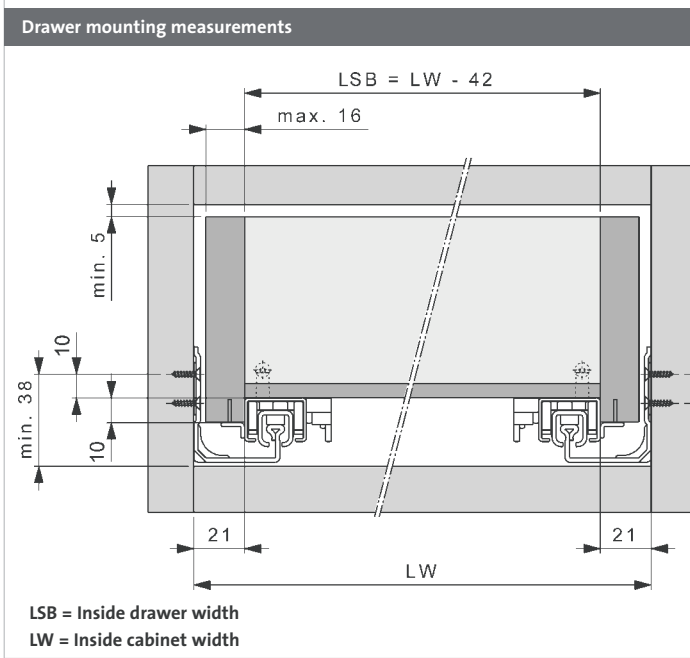
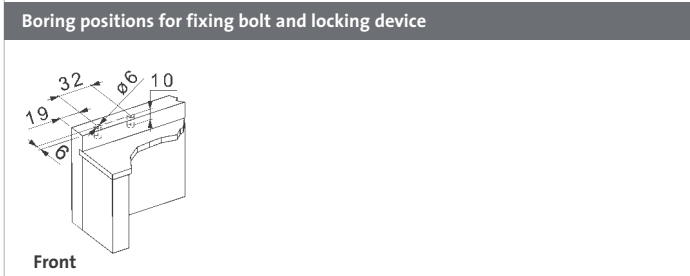
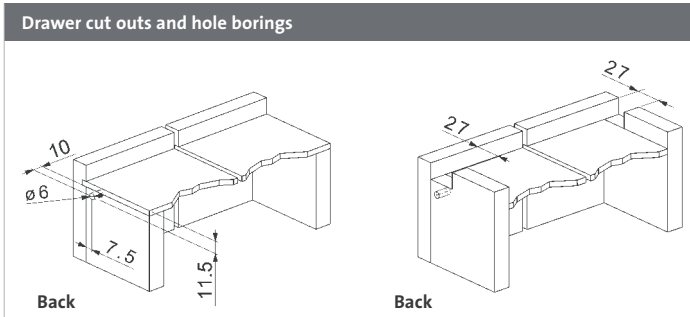
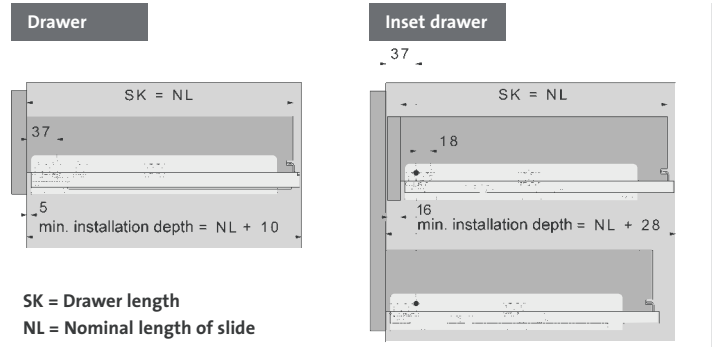
PU = Packing Unit

- Integrated height adjustment, tool-less + 2.5 mm
 - Easy adjustment of drawer front gaps
- Proven Dynamic technology
 - Excellent running conditions
- Without over extension
 - Finger proof

- Optional: drawer locking device
 - Secures from unintentional taking out the drawer
- Line boring system 32 for drawer locking device
 - Simple drilling in only horizontal axis



Nominal length/NL	Drawer length	Min. installation depth
250	250	260
300	300	310
350	350	360
400	400	410
450	450	460
500	500	510
550	550	560



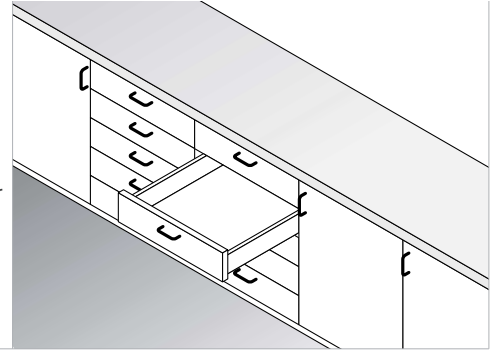
All measurements in mm.

Dynamic NT

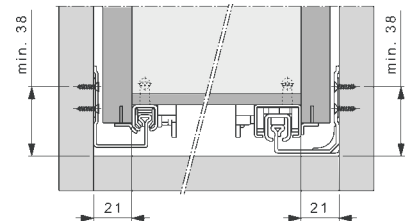
Concealed single extension slide, 30 kg, fixing bolt mounting with integrated Soft-close® or Self-close



- 30 kg dynamic load rating (based on 500 mm slide)
 - Covers all requirements for higher load ratings
- Soft-close® soft closing system
 - Soft and controlled closing of the drawer
- Self-close, alternative
 - The economical solution
- Specially adapted roller bearing cage
 - Precise vertical and horizontal stability



Identical mounting positions for Dynamic NT single and full extension slides.



Single extension

Full extension

More information about:

Full extension

Page 10

Nominal length/NL in mm	Ref. No. Soft-close®	Ref. No. Self-close	PU
300	7555.300	7565.300	20 Garnituren pro Karton
350	7555.350	7565.350	
400	7555.400	7565.400	
450	7555.450	7565.450	
500	7555.500	7565.500	
550	7555.550	7565.550	



Locking device

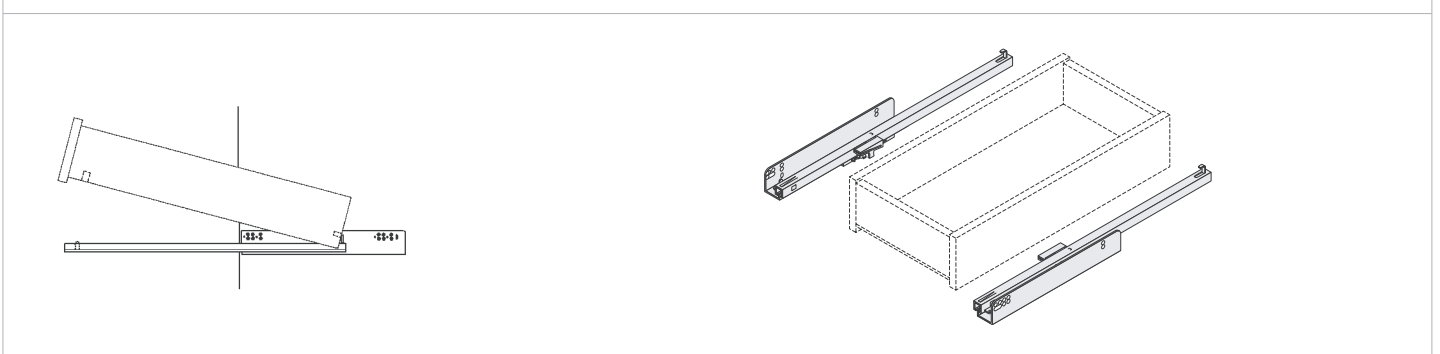
Secures from unintentional taking out drawers

Ref. No.

7980.VE100

PU 100 pcs.

Special Euro screw		191	Ø 6,3 x 10,5 mm	PU 1000 pcs.	Screw head diameter	7 mm
		192	Ø 6,3 x 14,0 mm	PU 1000 pcs.		
Wood screw		198	Ø 3,5 x 15,0 mm	PU 1000 pcs.		7 mm



PU = Packing Unit

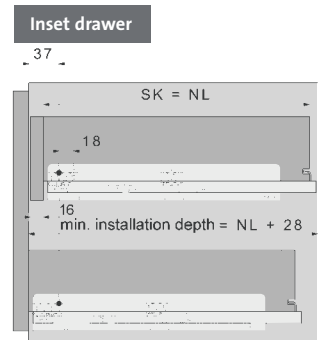
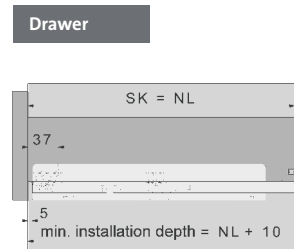
- Integrated height adjustment, tool-less + 2.5 mm
 - Easy adjustment of drawer front gaps
- Proven Dynamic technology
 - Excellent running conditions

- Optional: drawer locking device
 - Secures from unintentional taking out the drawer
- Line boring system 32 for drawer locking device
 - Simple drilling in only horizontal axis



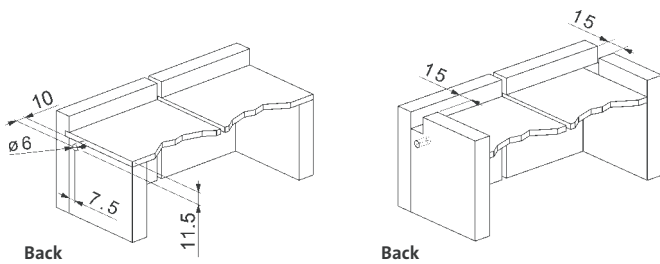
30 kg

Nominal length/NL	Drawer length	Min. installation depth	Extension loss
300	300	310	44
350	350	360	55
400	400	410	55
450	450	460	66
500	500	510	88
550	550	560	99

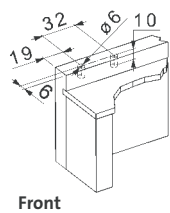


SK = Drawer length
NL = Nominal length of slide

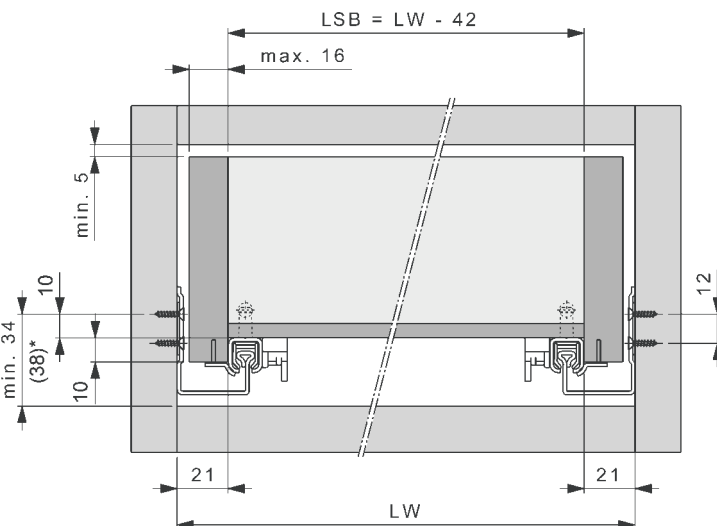
Drawer cut outs and borings



Boring positions for fixing bolt and locking device

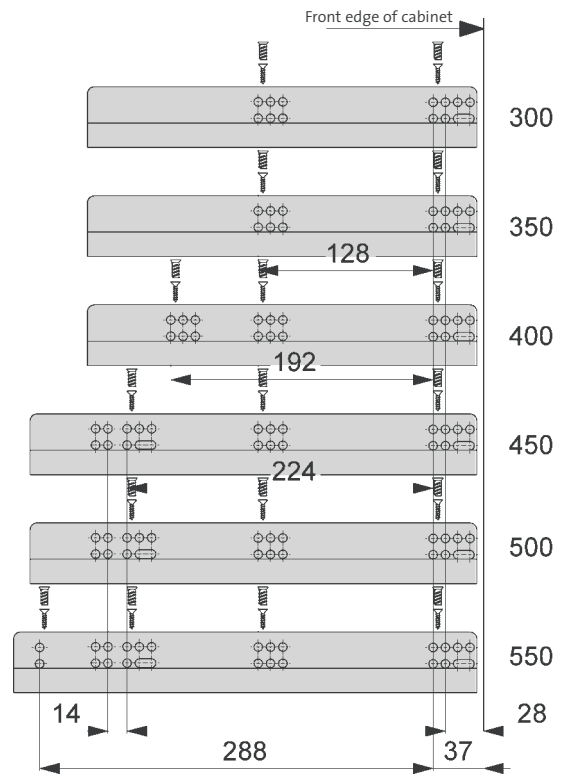


Drawer mounting measurements



LSB = Inside drawer width
LW = Inside cabinet width
* When changing to full extension slide.

Cabinet fixing positions

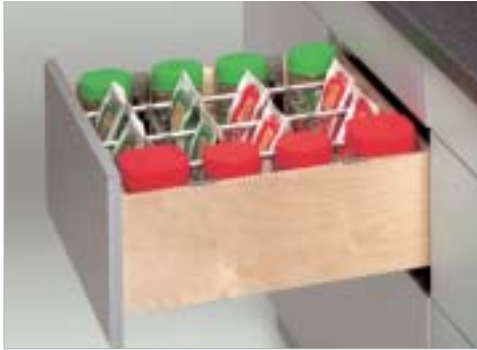


All measurements in mm.

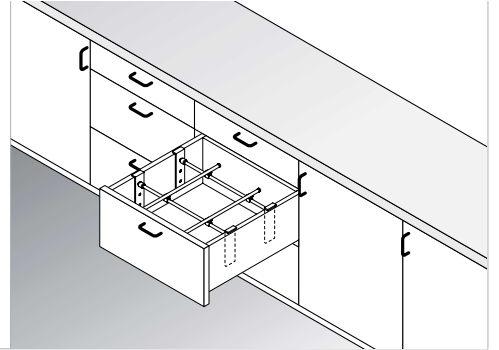


Magic Mini Side Wing

Organizing system for wooden drawers

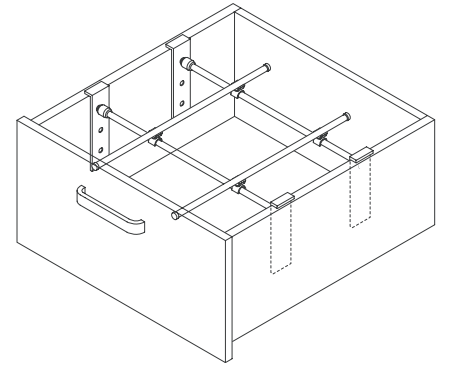


- For tall drawers
 - Optimum space organisation
- Variable organization components
 - Create organization and system in your drawers with ease
- Tool-less mounting
 - Fast and quick installation
- Adjustable elements
 - For individual arrangement possibilities



Magic Mini Side Wing

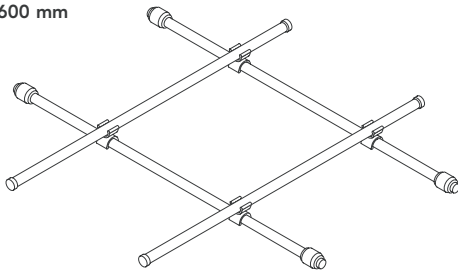
Colour: light-grey



Cabinet width in mm		Ref. No.	PU
	Magic Mini Side Wing	12650	4 pcs.
600	Magic Dividing Set	12700.495	1/25 set
1200		12700.1095	

PU 1/25 = 1 set per bag / 25 sets per box

600 mm

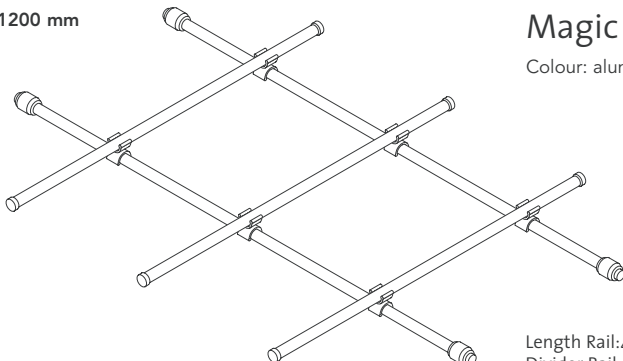


Magic Dividing Set

Colour: alumetallic

Length Rail: 462 mm
Divider Rail: 495 mm

1200 mm



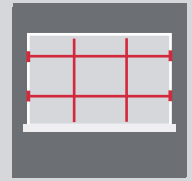
Magic Dividing Set

Colour: alumetallic

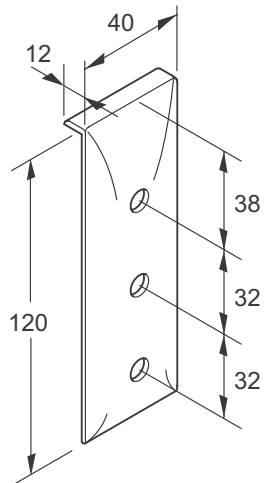
Length Rail: 462 mm
Divider Rail: 1095 mm

PU = Packing Unit

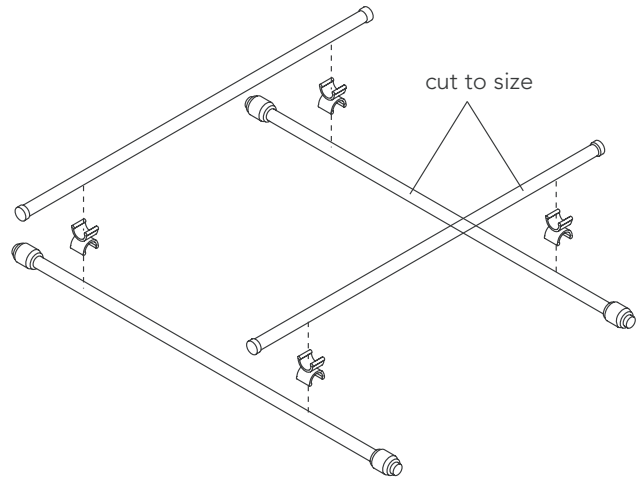
- Aluminium Dividing Rails
- Easy to cut to size



Mounting measurements Magic Mini Side Wing

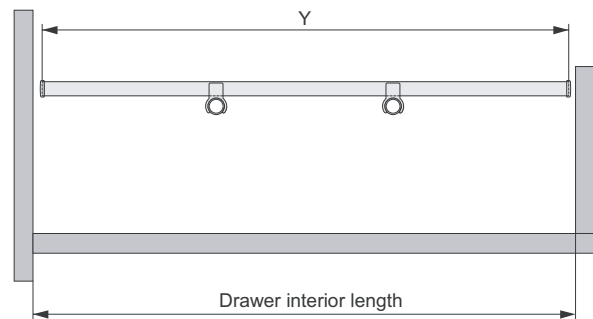
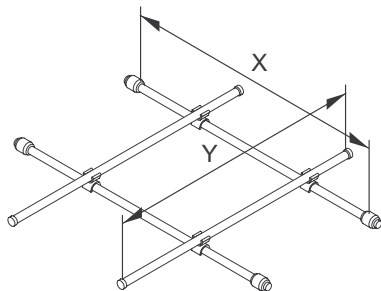


Magic Dividing Set



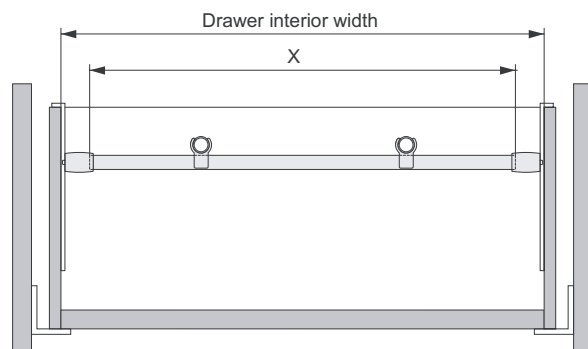
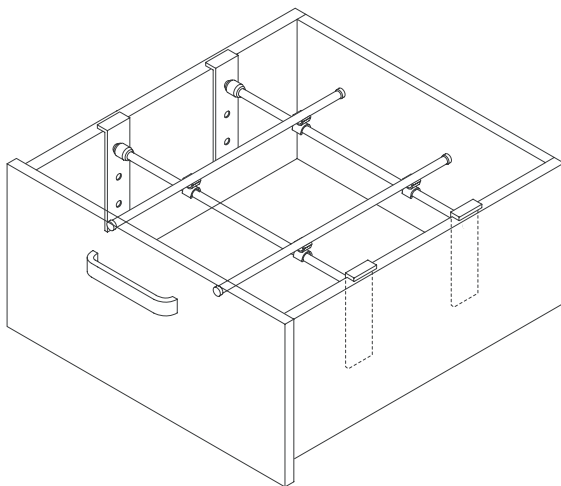
Length Rail

$Y = \text{Drawer interior length minus } 14 \text{ mm}$



Divider Rail

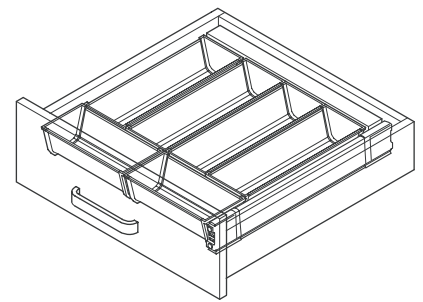
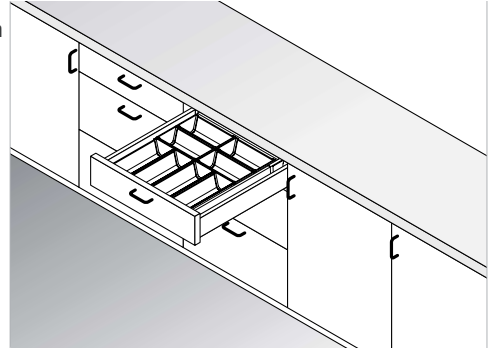
$X = \text{Drawer interior width minus } 41 \text{ mm}$



Organizing system for wooden drawers



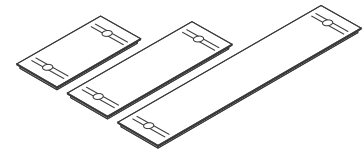
- Flexible, modular build organization system
 - Organizes your wood drawer
- Trays, covers and divider supports can be freely selectable
 - Variable arrangement possibilities
- Trays and divider supports can be easily removed
 - Easy to clean
- Trays made of stainless steel
 - Food safe, LGA hygiene tested



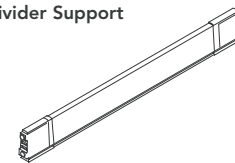
Ref. No. PU

	Ref. No.	PU
Sorto tray 180	12202.180	10 pcs.
Sorto tray 270	12202.270	6 pcs.
Sorto tray 450	12202.450	4 pcs.
Divider Support 400 to 450	12101.500	25 pcs.
Divider Support 500 to 550	12101.550	
Sorto lid 180	12211.180	100 pcs.
Sorto lid 270	12211.270	70 pcs.
Sorto lid 450	12211.450	30 pcs.

Sorto lid 180, 270, 450 mm

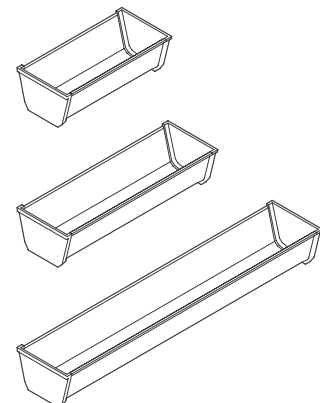


Divider Support



Sorto trays: Stainless steel,
plastic parts light-grey
Sorto lid: Plastic, light-grey
Divider Support: Aluminium, alumetallic,
plastic parts light-grey

Sorto tray 180, 270, 450 mm



PU = Packing Unit



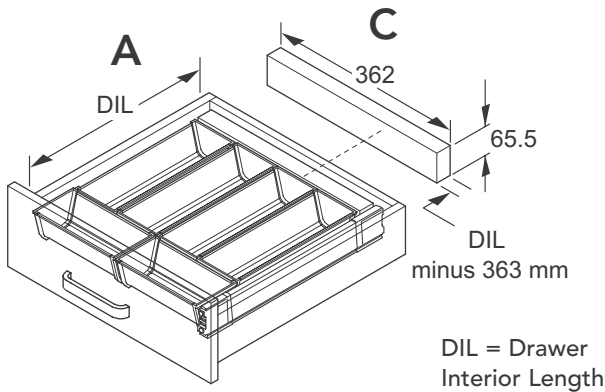
- Aluminium Divider Supports
- Easy to cut to size

Mounting measurements

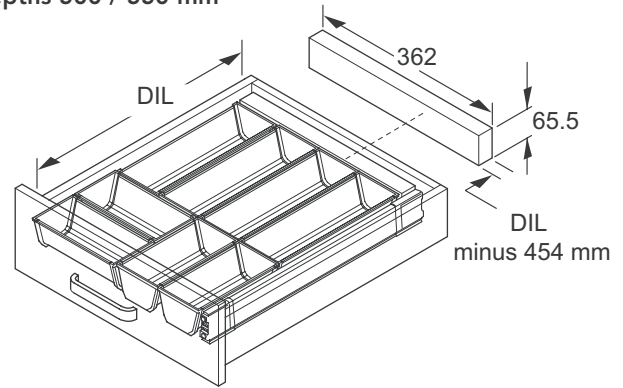
- A** Measure drawer interior length (DIL)
Remove spring loaded end caps to aluminum
- B** Cut aluminum bar (length = DIL minus 87 mm)
- C** Attach spring loaded end caps to aluminum profile

D Cut wooden spacer

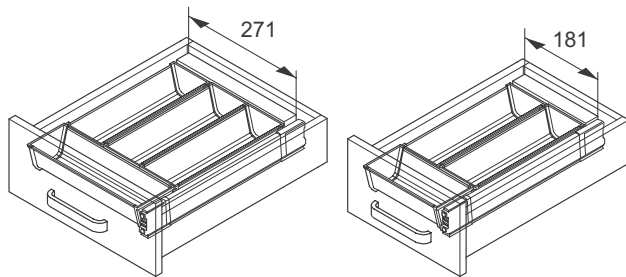
For drawer depths 400 / 450 mm



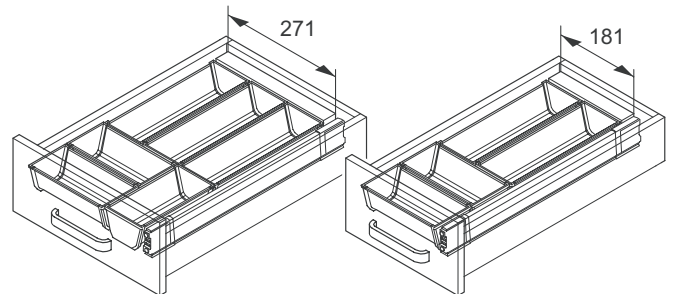
For drawer depths 500 / 550 mm



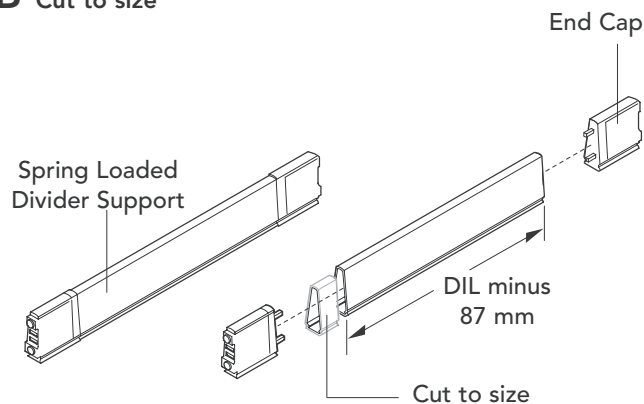
For small drawer depths 400 / 450 mm



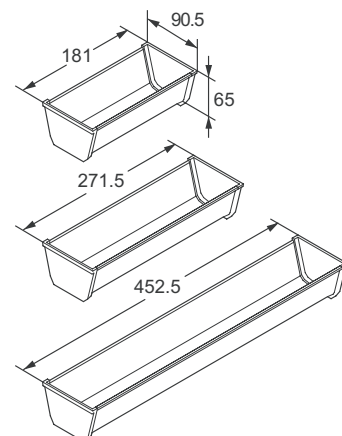
For small drawer depths 500 / 550 mm



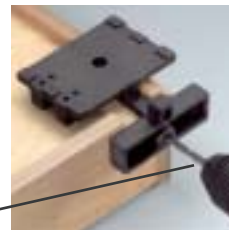
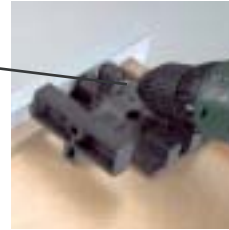
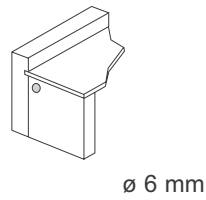
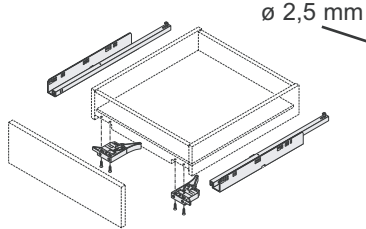
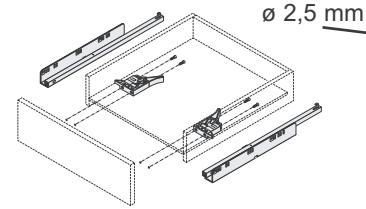
B Cut to size



Sorto tray
180, 270, 450 mm



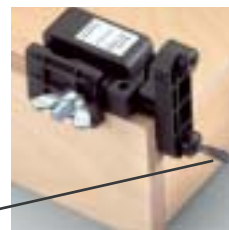
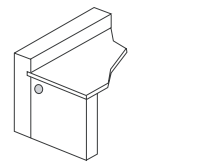
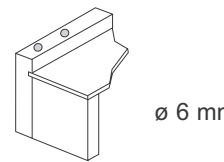
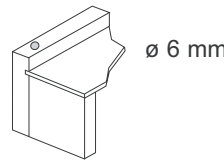
7990 Boring jig for slide-on mounting



7990
Boring jig for rear hook and front fixing bracket borings

Ref. No. **7990**
PU 1 pc.

7991 Boring jig for mounting with fixing bolt



7991
Boring jig for rear hook and locking device

Ref. No. **7991**
PU 1 pc.



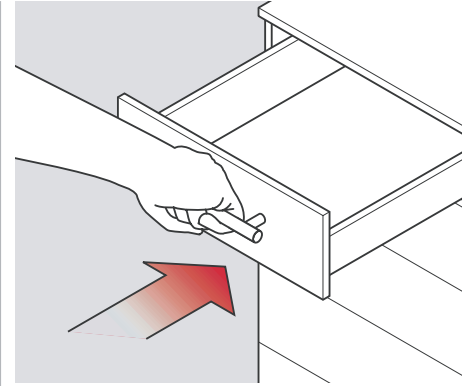
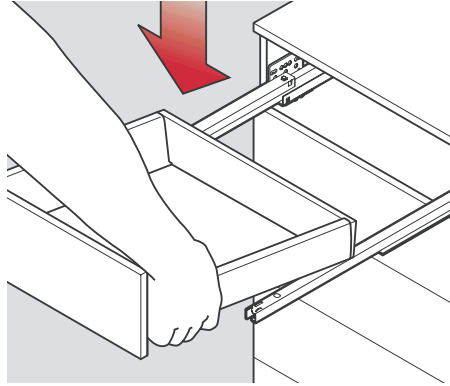
Technical Information

For wooden drawers

Drawer insertion

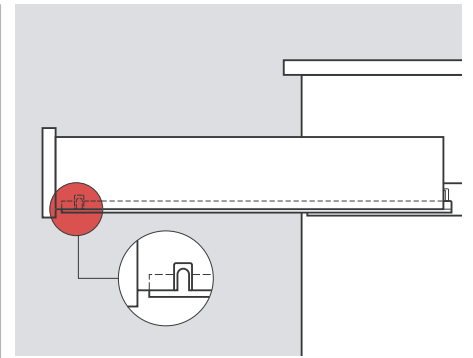
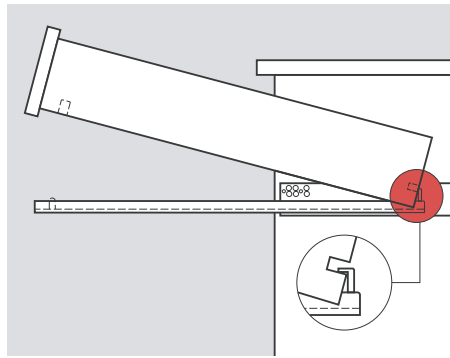
slide-on mounting

Place onto extended Dynamic NT drawer slides and close.



mounting with fixing bolt

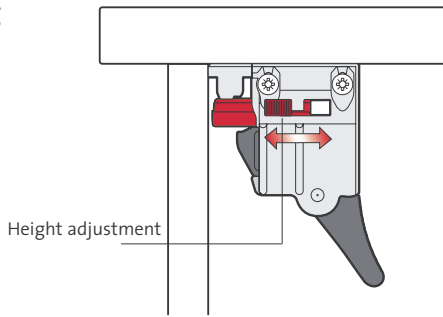
Place drawer box onto Dynamic NT drawer runners into the rear hooks. Then place box onto fixing bolts.



Height adjustment

slide-on mounting

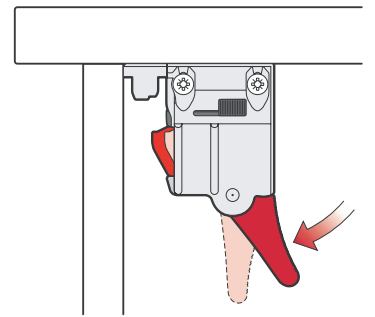
Integrated tool-less height adjustment up to 2.5 mm.



Drawer take off

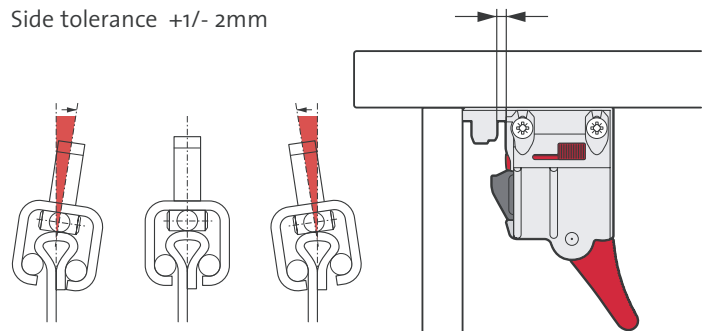
slide-on mounting

Extend drawer, press the lever of the front fixing bracket and take the drawer off from the Dynamic NT slides.



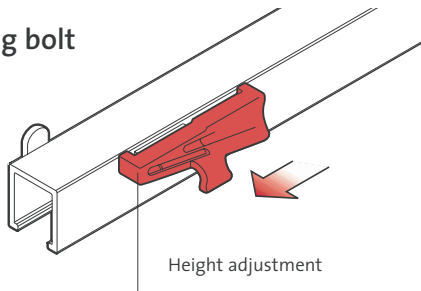
Side tolerance

Side tolerance +/- 2mm



mounting with fixing bolt

Integrated tool-less height adjustment up to 2.5 mm.



One step ahead of the future.



MEPLA  **ALFIT**
Feel the motion !

MEPLA-WERKE
Lautenschläger GmbH & Co. KG
Egerländer Straße 2
D-64354 Reinheim
Telefon ++49 (0) 61 62 / 8 02 - 0
Telefax ++49 (0) 61 62 / 8 02 - 181
E-Mail info@mepla-alfit.de

Alfit AG
Sennemahd 10
A-6840 Götzis
Telefon ++43 (0) 55 23 / 59 60 - 0
Telefax ++43 (0) 55 23 / 6 45 10
E-Mail info@mepla-alfit.com

www.mepla-alfit.com